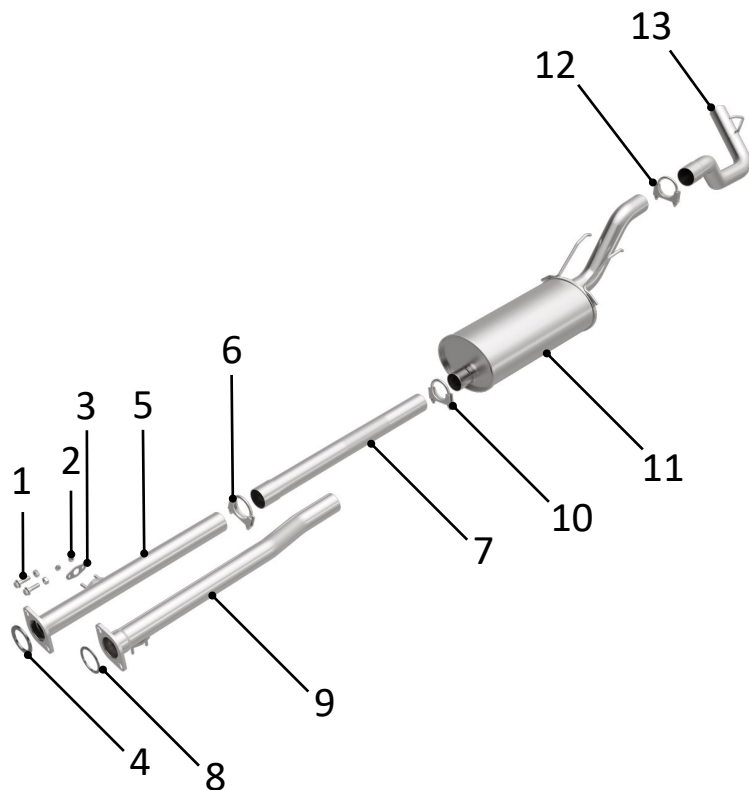


BRExhaust™

A **MAGNAFLOW** GROUP COMPANY

INSTALLATION INSTRUCTIONS | PART NO. 106-0389



STEP 1: (Carefully read all instructions before installation)
Disconnect the vehicle's battery before removal of the OEM exhaust system. This will prevent electrical accidents and will reset the computer if it applies to the vehicle. Remove existing exhaust system from the vehicle. Only remove parts that will be replaced. Clean existing flange with a wire brush to ensure proper sealing.

STEP 2:

For short wheelbase vehicles attach **[9] Inlet Pipe Assembly** to existing exhaust with supplied **[1] Hardware** and **[8] Gasket**.

For long wheelbase vehicles attach **[5] Inlet Pipe Assembly** to existing exhaust with supplied **[1] Hardware** and **[4] Gasket**.

STEP 3:

For short wheelbase vehicles attach **[11] Muffer Assembly** to existing isolators and **[9] Inlet Pipe Assembly** with supplied **[10] Clamp**.

For long wheelbase vehicles attach **[7] Intermediate Pipe** to **[5] Inlet Pipe Assembly** with supplied **[6] Clamp** and then connect **[11] Muffer Assembly** to existing isolators and **[7] Intermediate Pipe** with supplied **[10] Clamp**.

STEP 4:

Attach **[13] Tail Pipe Assembly** to existing isolator and **[11] Muffer Assembly** with supplied **[12] Clamp**.

STEP 5:

Place O2 sensor **[3] Gasket** over the threaded studs and O2 sensor port of the **[9] Inlet Pipe Assembly** or **[5] Inlet Pipe Assembly** and then reattach the existing O2 sensor to the **[9] Inlet Pipe Assembly** or **[5] Inlet Pipe Assembly** and secure it with supplied **[2] Hardware**.

STEP 6: Ensure new exhaust is not contacting any portion of the underbody of the vehicle or drivetrain.

STEP 7: Tighten all clamps starting from rear of the vehicle. **(DO NOT EXCEED 30FT-LB WHEN TIGHTENING CLAMP AND CHECK ALL CLAMPS AFTER 50 MILES. RETIGHTEN IF NECESSARY)**

WARNING:

When working on, under, or around any vehicle exercise caution. Please allow the vehicle's exhaust system to cool before removal, as exhaust temperatures may cause severe burns. If working without a lift, always consult vehicle manual for correct lifting specifications. Always wear safety glasses and ensure a safe work area. Serious injury or death could occur if safety measures are not followed.



BRExhaust recommends professional installation for all products

Technical Support: 1-800-631-7271

BRExhaust — 1901 Corporate Ctr, Oceanside, CA 92056

www.brexhaust.com